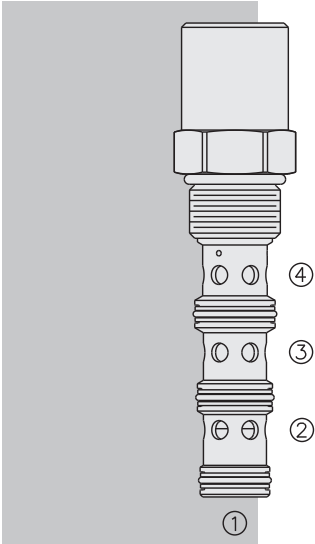
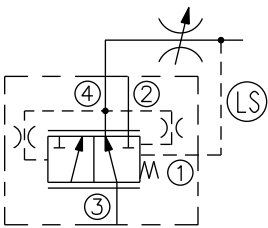


HEC12-43 HyPerformance™ Pressure Compensator,



ISO SYMBOL



DESCRIPTION

A high pressure, screw-in, cartridge-style, priority-on-demand, pressure compensator with dynamic load sense intended to provide priority flow in the required amount, while allowing excess flow to be used for auxiliary functions.

OPERATION

With inlet flow at port 3, the **HEC12-43** will deliver required priority flow at port 4, regardless of load pressure. Excess flow exits, or is bypassed, at port 2. Port 1 is the load sense port. All ports may be fully pressurized.

FEATURES

- Priority-on-demand.
- Dynamic load sense.
- Hardened parts for long life.
- Quiet, modulated response.
- 80 and 160 compensating springs.
- All HyPerformance products are tested to the rigorous standards of NFPA specification T2.6.1.
- All HyPerformance products are tested at a verification level of 90% and an assurance of 99%.

RATINGS

Operating Pressure: 350 bar (5075 psi) 10% cycle life 420 bar (6090 psi)

Proof Pressure: 690 bar (10000 psi);

Burst Pressure: 1380 bar (20000 psi)

Maximum Inlet Flow Rate:

68 lpm (18 gpm) with 5.5 bar (80 psi) compensating spring;

95 lpm (25 gpm) with 11 bar (160 psi) compensating spring

Priority Flow Rate: Up to 80% of maximum input flow

Load Sense Line Flow Rate: 1.1 lpm (0.3 gmp) maximum with 350 bar (5075 psi) pressure and Port 3 and Ports 2 and 4 blocked

Flow Maintenance: See performance chart

Temperature: -54° to 107°C (-65° to 225°F) with PPDl Urethane seals

Filtration: See page 9.010.1

Fluids: Mineral-based or synthetics with lubricating properties at viscosities of 7.4 to 420 cSt (50 to 2000 sus); See Temperature and Oil Viscosity, page 9.060.1

Installation: No restrictions; See page 9.020.1

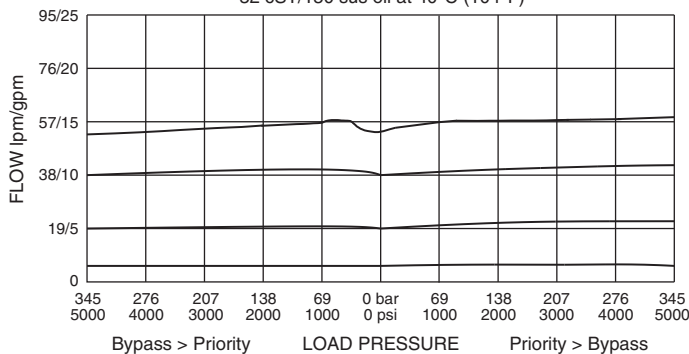
Cavity: HVC12-4; See page 9.112.1

Cavity Tool: HCT12-4-xxx; See page 8.600.1

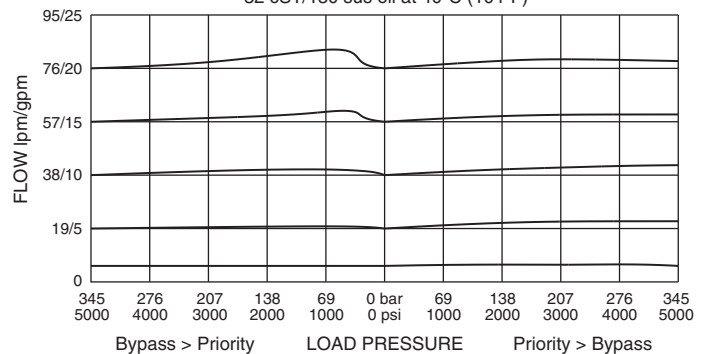
Seal Kit: HSK12-4U-0; See page 8.650.1

PERFORMANCE (Cartridge Only)

Priority Flow vs. Load
HEC12-43-80 at 68 lpm/18 gpm Inlet Flow
32 cSt/150 sus oil at 40°C (104°F)

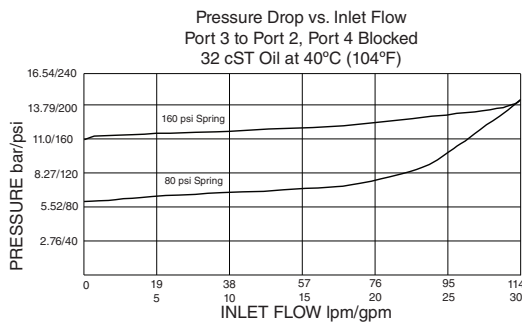


Priority Flow vs. Load
HEC12-43-160 at 95 lpm/25 gpm Inlet Flow
32 cST/150 sus oil at 40°C (104°F)



Priority-on-Demand, Dynamic Load-Sense HEC12-43

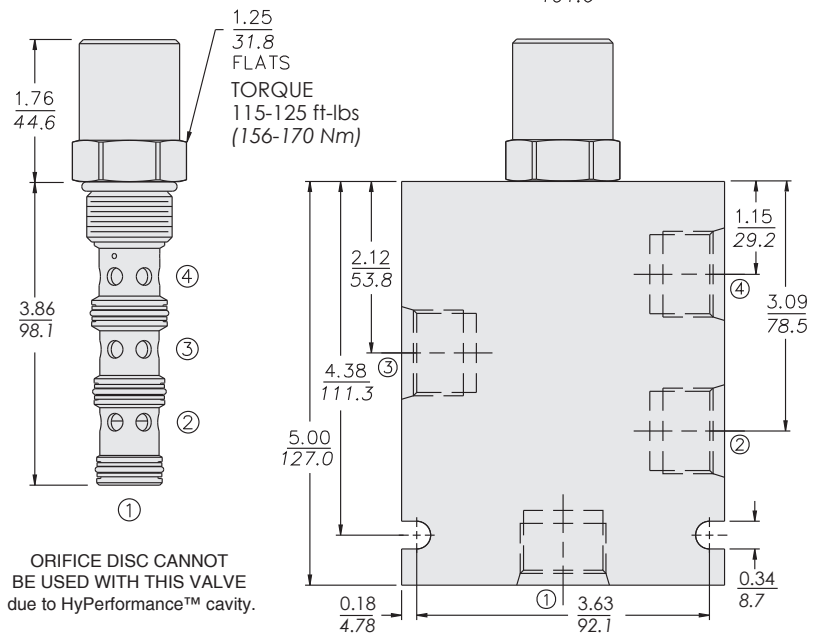
PERFORMANCE (Continued)



DIMENSIONS

H-SERIES DUCTILE IRON BODY SHOWN

INCH
MILLIMETRE



MATERIALS

Cartridge: Weight: 0.44 kg. (0.98 lb)
Steel with hardened work surfaces.
Zinc-plated exposed surfaces.
Urethane seals without back-up rings standard.

Ported Body: Weight: 4.05 kg. (8.93 lb)
H-series ductile iron standard. Rated to 354 bar (5000 psi). See page 8.012.1.

TO ORDER

HEC12-43 - - -

<p>Porting</p> <p>Cartridge Only 0</p> <p>SAE 12 12HT</p> <p>*3/4 in. BSP 6HB</p> <p>* BSP body; U.K. Mfg. Only</p>	<p>Compensator Spring</p> <p>80 5.5 bar (80 psi)</p> <p>160 11.0 bar (160 psi)</p>
---	---

Seals
U PPDI Urethane

NOTE: Urethane seals recommended for operating pressures above 241 bar (3500 psi).

NOTE: Consult factory for additional seal options.