



Notice of Product Discontinuation

EVDR1, ETDR1, EFDR1, DIN Mount Drivers

Notice

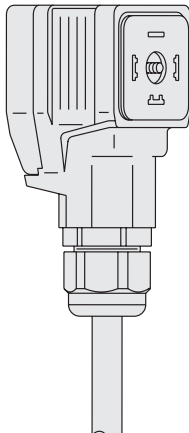
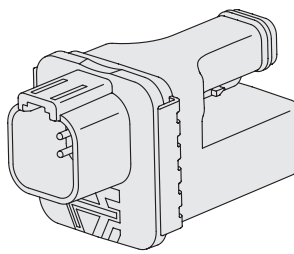
Due to the release of newer digital valve drivers featuring superior durability, application flexibility, and ease of configuration, HydraForce has decided to discontinue production of the following valve drivers (see right). These products will no longer be available for shipment after 1 January, 2016.

- EVDR-0101A replaces DIN mount analog valve drivers. Coil termination must change from DIN to Deutsch.
- EVDR-0101A replaces EVDR1/EVDR1A.
- EFDR-0201A replaces EFDR1/EFDR1A.
- ETDR-0101A or ETDR-0201A replaces ETDR1/ETDR1A.

You can find information on the new ExDR digital valve drivers at http://www.hydraforce.com/news/new-prod-featrs-applns/exdr_buln/exdr_buln.htm

Please contact your HydraForce sales representative or your local distributor for assistance in transitioning applications to current product. We apologize for any inconvenience this transition may cause.

Affected Models

Style	Model	Description
	4000070	DRIVER, DIN MOUNT
	4000071	DRIVER, DIN MOUNT
	4000072	DRIVER, DIN MOUNT
	4000123	DRIVER, DIN MOUNT
	4000161	DRIVER, DIN MOUNT
	4000162	DRIVER, DIN MOUNT
	4000163	DRIVER, DIN MOUNT
	4000164	DRIVER, DIN MOUNT
	4000165	DRIVER, DIN MOUNT
	4000166	DRIVER, DIN MOUNT
	4000169	DRIVER, DIN MOUNT
	4000170	DRIVER, DIN MOUNT
	4000171	DRIVER, DIN MOUNT
	4000172	DRIVER, DIN MOUNT (90 Hz Dither)
	4000223	DRIVER, DIN MOUNT
	4000226	DRIVER, DIN MOUNT
	4000227	DRIVER, DIN MOUNT
	4000232	DRIVER, DIN MOUNT
	4000236	DRIVER, DIN MOUNT (250 Hz Dither)
	4000263	DRIVER, DIN MOUNT
7114950	DRIVER, DIN MOUNT	
	4000425	EVDR1A CONFIG HARNESS
	4001605	E*DR1 HARNESS
	4001618	E*DR1 CONFIG. SOFTWARE
	4204030	EVDR1
	4204500	EFDR1
	4204520	ETDR1
	4204580	EVDR1A
	4209110	ETDR1 - Custom
	4209330	EFDR1 - Custom
	4209990	EVDR1 - Custom
E07088	ETDR - Custom	

For detailed information and specifications, visit www.hydraforce.com or contact your local HydraForce representative at www.hydraforce.com/distrib/world.htm

HYDRAFORCE, INC.

500 Barclay Blvd. • Lincolnshire, IL 60069 USA
Ph: 847 793 2300 • Fx: 847 793 0086
Web: www.hydraforce.com • E-Mail: sales@hydraforce.com
ISO 9001 & QS 9000 • Member: National Fluid Power Association

HYDRAFORCE HYDRAULICS, LTD.

Advanced Manufacturing Hub

250 Aston Hall Road • Birmingham B6 7FE • United Kingdom
Ph: 44 121 333 1800 • Fx: 44 121 333 1810
Web: www.hydraforce.com • E-Mail: sales-uk@hydraforce.com
Member: British Fluid Power Association and
Verband Deutscher Maschinen-und Anlagenbau e.V. (VDMA)
ISO 9001 & ISO 14001

HYDRAFORCE HYDRAULIC SYSTEMS (CHANGZHOU) CO., LTD.

388 W. Huanghe Road • Building 15A
GDH Changzhou Airport Indl Park
Xinbei District • Changzhou, China 213022
Ph: 86 519 6988 1200 • Fx: 86 519 6988 1205
Web: www.hydraforce.com • E-Mail: sales@hydraforce.com
ISO 9001: 2008