



EC12-34 Load-Holding Pressure Compensator Product Improvement

Overview

As a product improvement, the spool and orifice check plug sub-assembly of EC12-34 load-holding pressure compensator valves are being updated to include common components from the HyPerformance™ series valve HEC12-34.

Pressure rating and flow control characteristics are unchanged in the new configuration. The new spool and check plug offer these performance benefits:

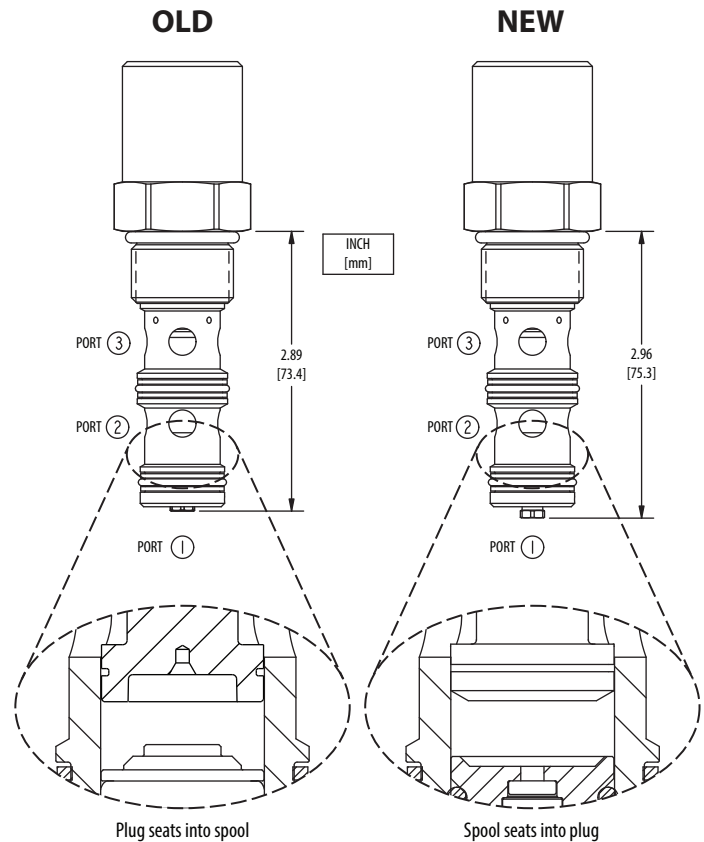
- Lowered seating pressure from an average of approximately 930 psi [64 bar] to 400 psi [28 bar].
- Improved variation of seating characteristics.
- HEC12-34 spool and plug have been tested to HyPerformance endurance standards.

Timing

This change will be implemented as stock of existing parts is depleted. At current usage we estimate the new components to begin shipping in the third or fourth quarter of 2015.

Impact

Form and fit of EC12-34 will not change. General ratings remain unchanged. The dimension from spotface to nose is 0.07 in [1.9 mm] longer. Performance changes as described above. If you require any additional information or documentation, please contact your HydraForce representative.



For detailed information and specifications, visit www.hydraforce.com or contact your local HydraForce representative at www.hydraforce.com/distrib/world.htm

HYDRAFORCE, INC.

500 Barclay Blvd. • Lincolnshire, IL 60069 USA
Ph: 847 793 2300 • Fx: 847 793 0086
Web: www.hydraforce.com • E-Mail: sales@hydraforce.com
ISO 9001 & QS 9000 • Member: National Fluid Power Association

HYDRAFORCE HYDRAULICS, LTD.

St. Stephens Street • Birmingham B6 4RG England
Ph: 44 121 333 1800 • Fx: 44 121 333 1810
Web: www.hydraforce.com • E-Mail: sales-uk@hydraforce.com
Member: British Fluid Power Association and
Verband Deutscher Maschinen- und Anlagenbau e.V. (VDMA)
ISO 9001 & ISO 14001

HYDRAFORCE HYDRAULIC SYSTEMS (CHANGZHOU) Co., LTD.

388 W. Huanghe Road • Building 15A
GDH Changzhou Airport Indl Park
Xinbei District • Changzhou, China 213022
Ph: 86 519 6988 1200 • Fx: 86 519 6988 1205
Web: www.hydraforce.com • E-Mail: sales@hydraforce.com
ISO 9001: 2008