



## Overview

European  
Commission  
(EC)  
CE



### Description

The **ECAN-1** is a multi-functional wireless CAN interface with an integrated antenna. The device provides access to the CAN data of a vehicle or machine in various operating modes. With this device, you can transmit and receive CAN data via a WLAN connection. It can also be used as a CAN to CAN bridge or a CAN wireless interface.

### Operation

When used in interface mode, the ECAN-1 transmits CAN data to other WLAN devices, such as a PC. It will work with both HF-Impulse and CoDeSys configuration software. When used as a CAN to CAN bridge, the ECAN-1 provides wireless transmission of CAN data between two ECAN-1 wireless devices, i.e. as a substitute for CAN cables in drag chains or with remote control units.

### Features

- Choice of functional modes
- Compact size
- Rugged, impact-resistant and moisture-resistant IP67-rated enclosure designed for use in outdoor hydraulic equipment applications

## Ratings

### Electrical Parameters

Supply voltage	8 to 32 Vdc
Memory	1024 kB/16kB

### Properties

Unit weight	0.06 kg (0.13 lb)
Enclosure material	ULTRAMID® C3U BK 23079 PA6/66 FR
Connectors	M12 5-pin - <b>Note:</b> (mates with M12 A-coded 5-pin female)
Diagnostic indicator	Bi-color red/green LED

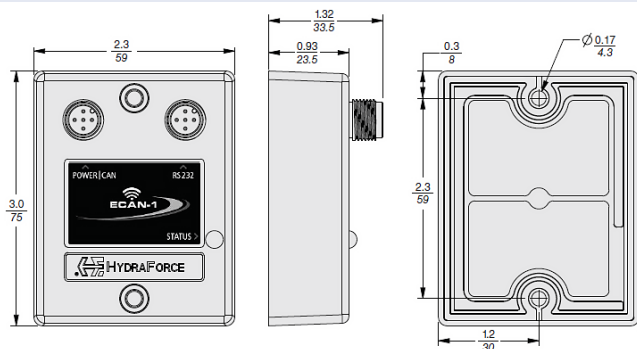
### Environmental Ratings

Ingress protection class	IP67 - <b>Note:</b> With all connectors plugged in or suitably capped
--------------------------	---

### Network

CAN interface	ISO 11898-2 HIGH SPEED, 2.0 A/B
WLAN	IEEE 802.11 A/B/G/N, IEEE 802.11 D/E/I/H, DUAL BAND: 2.4 GHz / 5 GHz
WLAN Security	WPA2-PSK, WPA-PSK, WEP64, WEP128, PEAP
WLAN Range	75 m (250 ft)
Certifications	CE, FCC, E1 - <b>Note:</b> THE DEVICE DOES NOT COMPLY WITH DIRECTIVE 2014/34/EU AND MUST THEREFORE NOT BE USED IN POTENTIALLY EXPLOSIVE ENVIRONMENTS. FOR DETAILED SPECIFICATIONS

## Dimensions





## To Order

**ECAN-1:** Part No. 4002768

**Mating connector:** M12 A-coded Part No. 4001953